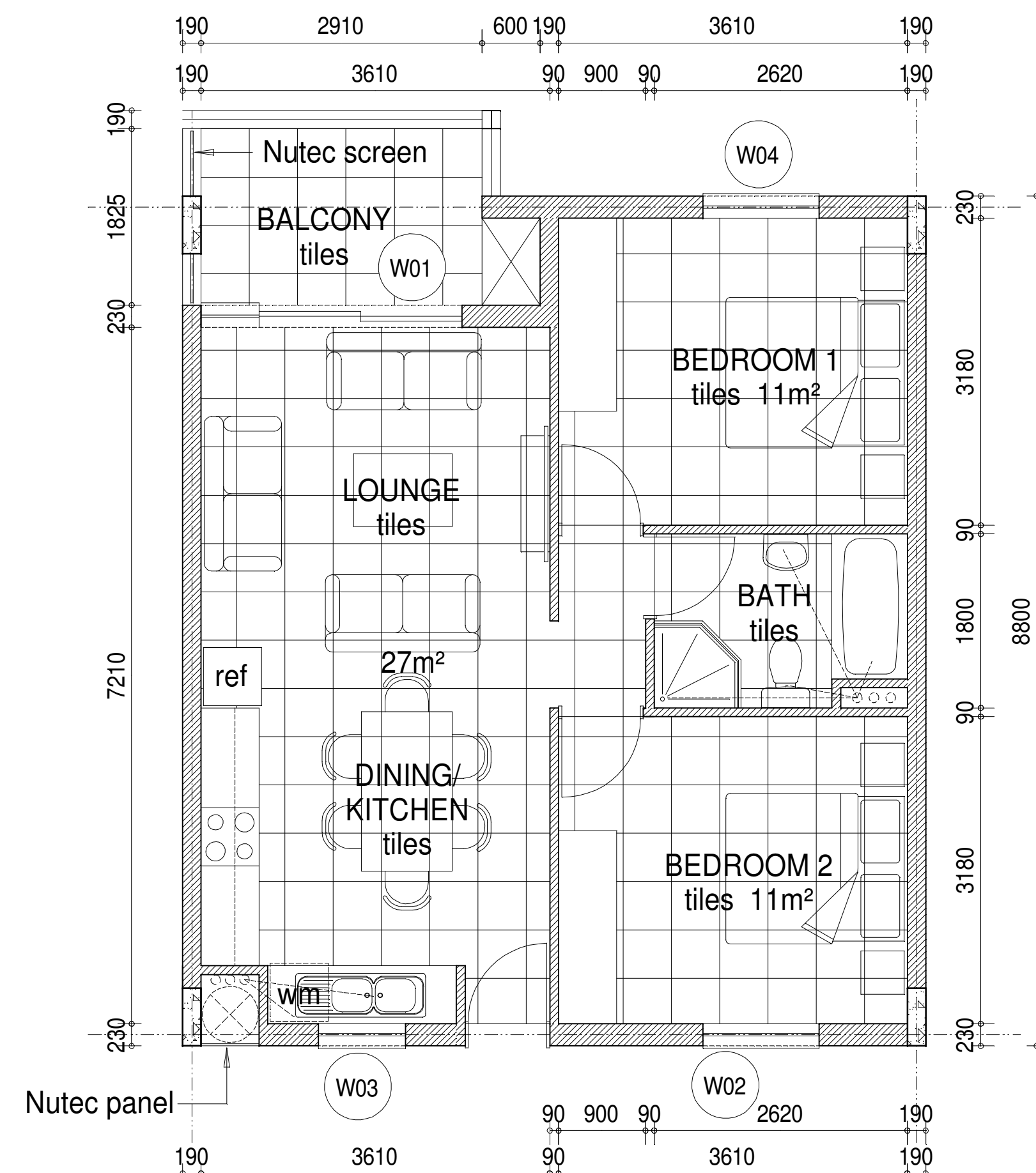


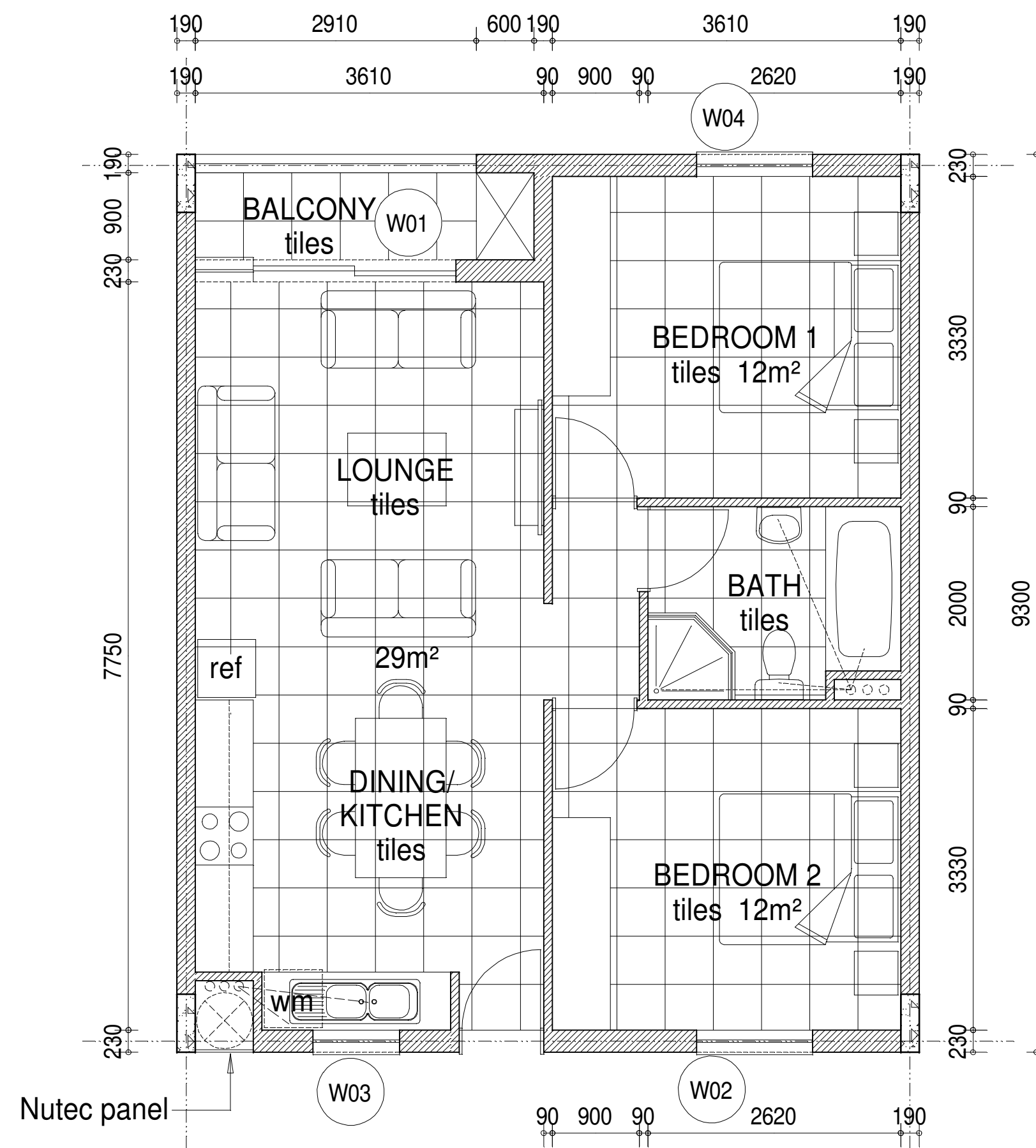
TYPE 1 (BLOCK C)
2 BEDROOM APARTMENT LAYOUT
1:50

APARTMENT 60m²
BALCONY / PATIO 4m²
TOTAL 64m²



TYPE 3 (BLOCK A)
2 BEDROOM APARTMENT LAYOUT
1:50

APARTMENT 60m²
BALCONY / PATIO 7m²
TOTAL 67m²



TYPE 2 (BLOCK B & D)
2 BEDROOM APARTMENT LAYOUT
1:50

APARTMENT 64m²
BALCONY / PATIO 4m²
TOTAL 68m²

WINDOW CODE	Custom	WINDOW CODE	Custom
WINDOW TYPE	Top hung casement	WINDOW TYPE	Fixed pane
FINISH	Aluminium - Powder coated (white)	FINISH	Aluminium - Powder coated (white)
GLASS	6mm Clear glass	GLASS	6mm Clear glass
SHGC	Timber : 0.77 Aluminium : 0.81 Climate Zone : 4	SHGC	Timber : 0.77 Aluminium : 0.81 Climate Zone : 4
IRONMONGERY	As per supplier	IRONMONGERY	As per supplier

W05
x16

W04
x60

WINDOW CODE	Custom	WINDOW CODE	Custom
WINDOW TYPE	Top hung casement & sliding door	WINDOW TYPE	Top hung casement
FINISH	Aluminium - Powder coated (white)	FINISH	Aluminium - Powder coated (white)
GLASS	6mm Clear toughened safety glass	GLASS	6mm Clear glass
SHGC	Timber : 0.77 Aluminium : 0.81 Climate Zone : 4	SHGC	Timber : 0.77 Aluminium : 0.81 Climate Zone : 4
IRONMONGERY	As per supplier	IRONMONGERY	As per supplier

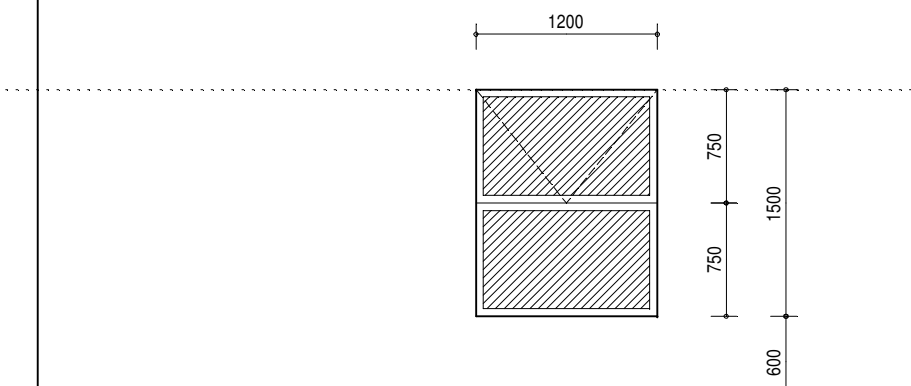
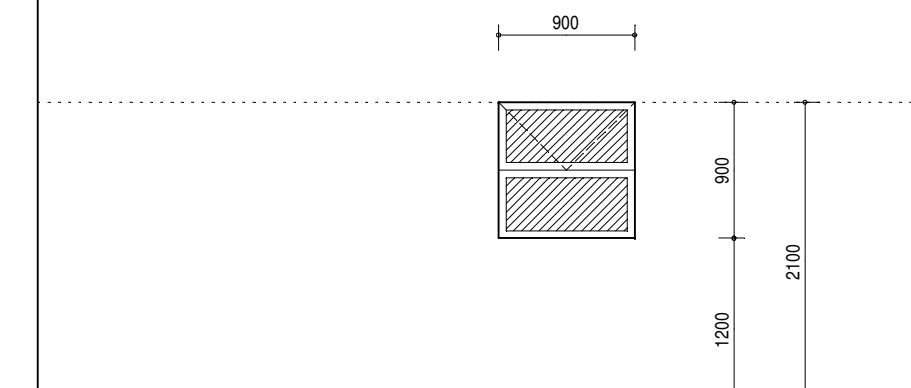
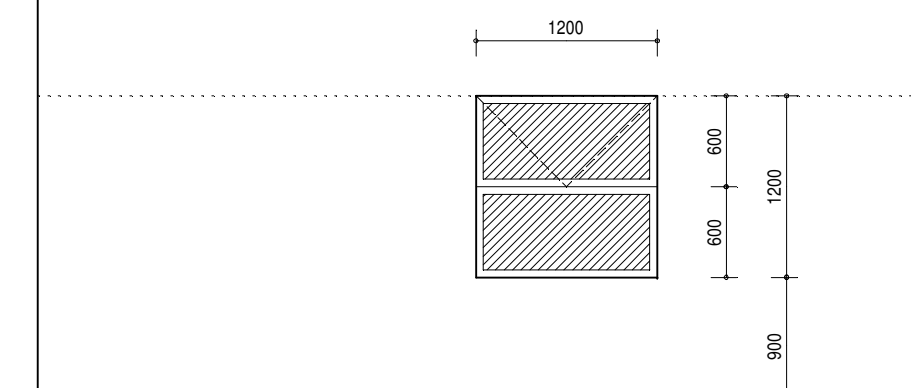
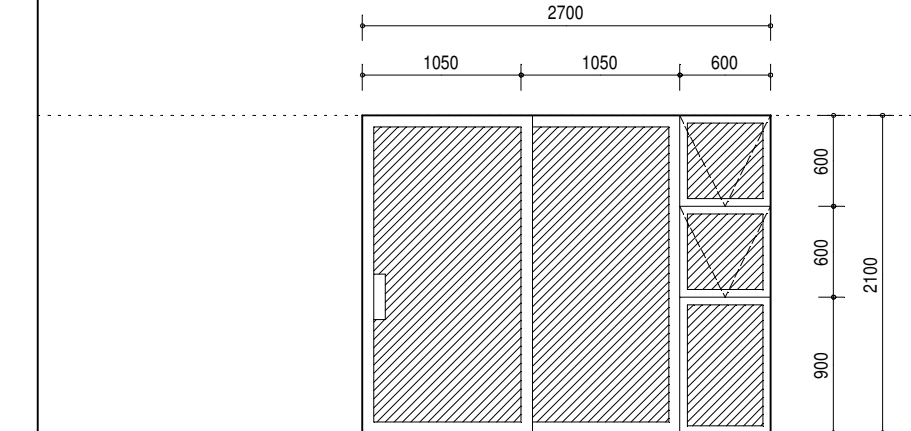
W01
x60

WINDOW CODE	Custom	WINDOW CODE	Custom
WINDOW TYPE	Top hung casement	WINDOW TYPE	Top hung casement
FINISH	Aluminium - Powder coated (white)	FINISH	Aluminium - Powder coated (white)
GLASS	6mm Clear glass	GLASS	6mm Clear glass
SHGC	Timber : 0.77 Aluminium : 0.81 Climate Zone : 4	SHGC	Timber : 0.77 Aluminium : 0.81 Climate Zone : 4
IRONMONGERY	As per supplier	IRONMONGERY	As per supplier

W02
x60

WINDOW CODE	Custom	WINDOW CODE	Custom
WINDOW TYPE	Top hung casement	WINDOW TYPE	Top hung casement
FINISH	Aluminium - Powder coated (white)	FINISH	Aluminium - Powder coated (white)
GLASS	6mm Clear glass	GLASS	6mm Clear glass
SHGC	Timber : 0.77 Aluminium : 0.81 Climate Zone : 4	SHGC	Timber : 0.77 Aluminium : 0.81 Climate Zone : 4
IRONMONGERY	As per supplier	IRONMONGERY	As per supplier

W03
x76



NOTES

ALL WORK TO BE CARRIED OUT STRICTLY IN ACCORDANCE WITH MUNICIPAL REGULATIONS.

FIGURE DIMENSIONS TO BE TAKEN IN PREFERENCE TO SCALING DRAWINGS.

ALL RELEVANT DETAILS, LEVELS, DIMENSIONS TO BE CHECKED ON SITE BEFORE COMMENCEMENT OF WORK.

ALL DRAWINGS ARE TO BE CHECKED BY THE MAIN CONTRACTOR AND ANY DISCREPANCIES ON THE DRAWINGS OR BETWEEN THE DRAWINGS ARE TO BE REFERRED TO THE ARCHITECT.

STRUCTURAL STABILITY, WATERPROOFING, GENERAL WORKMANSHIP AND MATERIALS AND THE CORRECT APPLICATION OF THE NATIONAL BUILDING REGULATIONS SANS 10400 IS THE RESPONSIBILITY OF THE MAIN CONTRACTOR.

THE CONTRACTOR MUST ACQUAINT HIMSELF WITH CONDITIONS ON SITE AND ANY QUERIES IN THIS REGARD MUST BE DIRECTED TO THE AUTHORS OF THIS DOCUMENT.

THIS DRAWING IS PROTECTED BY THE COPYRIGHT ACT NO. 63 OF 1965 AND MAY NOT BE USED WITHOUT PERMISSION OF THE ARCHITECT.

REVISIONS

No.	DATE	DESCRIPTION
A	03 12 18	UNIT INTERIOR LAYOUTS UPDATED UNIT DIMENSIONS UPDATED

OWNER'S SIGNATURE

ARCHITECT



Unit 1, First Floor, Heritage Square,
c/o Vrede & Gladstone Streets,
Durbanville 7550

PO Box 2718, Durbanville 7551
www.hdevarch.co.za

T +27 21 975 6291
F +27 21 975 6292
M +27 82 4455 912
E info@hdevarch.co.za

SACAP REG. No: 2759

PROJECT

Graceland
NEW RESIDENTIAL
DEVELOPMENT
ERF 38438
KRAAIFONTEIN

DESCRIPTION

**DETAILED APARTMENT LAYOUT
WINDOW SCHEDULE**

DATE	DEC 2018	SCALE	1 : 50
SKETCH	PRELIMINARY	TENDER	COUNCIL
DRAWN	GERHARD	DRAWING	1505/106
CHECKED	H DE VILLIERS	A	